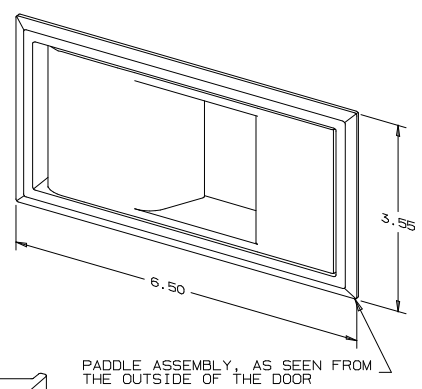
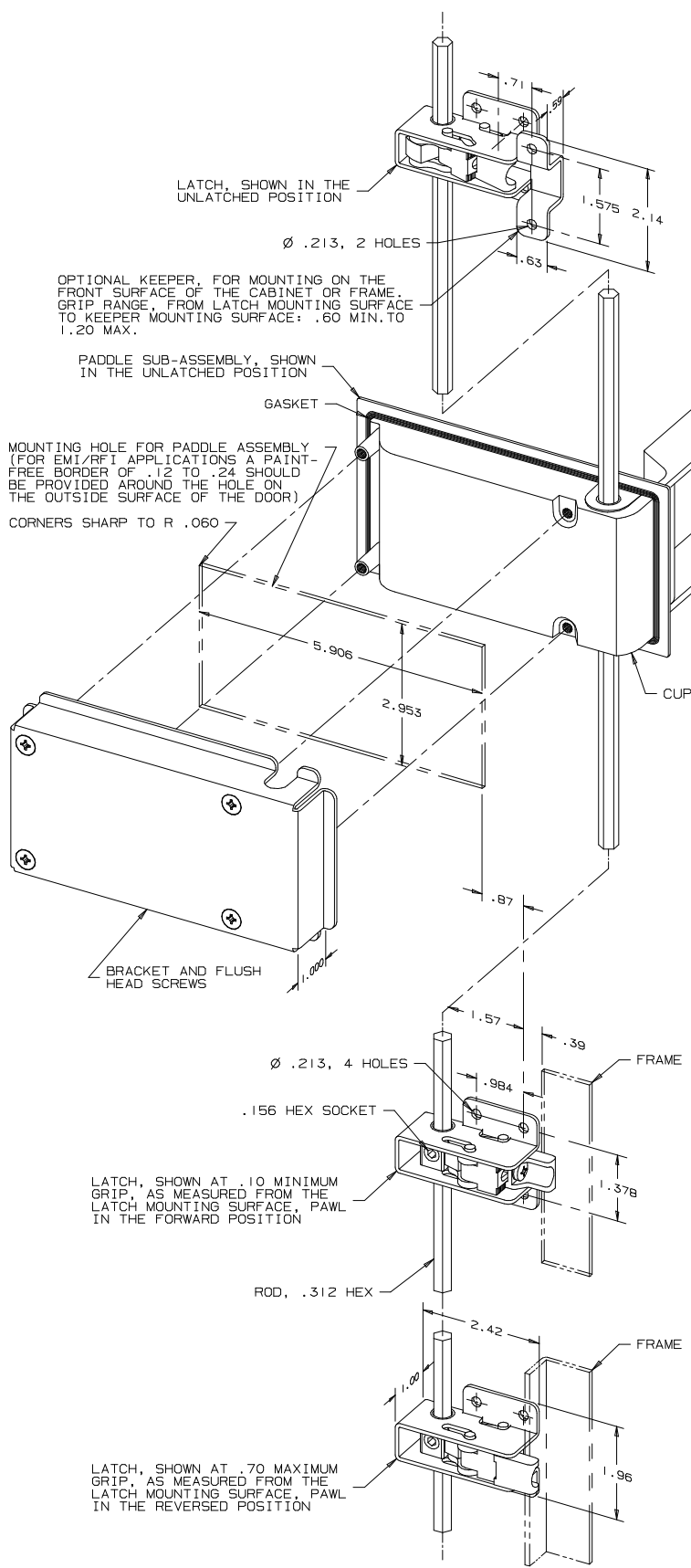


INCH DIMENSIONS INSTALLATION SCHEMATIC



PART NUMBERS
 PADDLE ASSEMBLY, INCLUDING BRACKET AND SCREWS: M3-10
 DUST AND MOISTURE GASKET: M3-12
 EMI/RFI GASKET: M3-13
 LATCH: M3-50
 KEEPER: M3-51
 ROD: M3-XXX, WHERE XXX IS THE TOTAL LENGTH IN CENTIMETERS. MINIMUM ROD LENGTH = CENTER-TO-CENTER DISTANCE BETWEEN THE FURTHEST LATCHES PLUS .8 INCH (2 CM).
 NOTE: RODS ARE MANUFACTURED TO SPECIAL SPECIFICATIONS. RODS NOT SUPPLIED BY SOUTHCO SHOULD BE STAINLESS STEEL OR STEEL AND SHOULD HAVE NO MORE THAN 1° TWIST IN ANY 3 FOOT LENGTH.

SPECIFICATIONS
 1.00 INWARD CLEARANCE REQUIRED FOR BOTH THE PADDLE ASSEMBLY AND THE LATCH. (1.23 WHEN LATCH IS ADJUSTED TO MAXIMUM GRIP)
 MAXIMUM DOOR THICKNESS IS .245. DOOR THICKNESS AFFECTS THE LOCATION OF THE LATCH ASSEMBLY NEAREST THE PADDLE ACTUATOR. AT MAXIMUM DOOR THICKNESS, DISTANCE FROM THE PADDLE TO THE NEAREST LATCH MUST BE AT LEAST 8 IN. AT NOMINAL DOOR THICKNESS OF .145, THE LATCH MAY BE ADJACENT THE PADDLE ASSEMBLY.
 THE LATCH HAS AN OVER-CENTER TOGGLE ACTION WITH APPROXIMATELY .20 INCH OF PAWL PULL-UP TO THE FULLY LATCHED POSITION. (DURING LATCHING, THE PAWL PULLS UP .25 INCH AND DROPS BACK .05 INCH.)
 PULL-UP FORCE PER LATCH SHOULD NOT EXCEED 100 POUNDS. TO DETERMINE THE MINIMUM NUMBER OF LATCHES WHICH MUST BE USED, DIVIDE THE TOTAL REQUIRED PULL-UP FORCE IN POUNDS BY 100.

INSTALLATION INSTRUCTIONS
 ATTACH THE LATCHES AND PADDLE ASSEMBLY TO THE DOOR, WITH THE LATCHES AND THE PADDLE IN THE LATCHED POSITION. SLIDE THE ROD THROUGH ALL OF THE ASSEMBLIES. (BECAUSE OF THE RETURN BEND ON THE DOOR, IT MAY BE NECESSARY TO ATTACH ONE OR MORE LATCHES AFTER THE ROD IS INSTALLED.) TIGHTEN THE SETSCREWS IN THE LATCHES TO 40 TO 60 INCH-POUNDS TORQUE. RAISE THE PADDLE AND TIGHTEN THE SETSCREWS ON ITS UNDERSIDE TO 40 TO 60 INCH-POUNDS TORQUE. ADJUST THE LATCHES FOR THE PROPER GRIP (PAWL ADJUSTS TO .03 INCREMENTS) AND TIGHTEN THE PAWL SCREWS SECURELY.

MATERIAL AND FINISH
 THE PADDLE ASSEMBLY CONSISTS OF PADDLE AND CUP, DIE CAST ZINC, BLACK POWDER COATED; BRACKET, 1008/1010 STEEL, ZINC PLATED, YELLOW; BUSHINGS AND SCREWS, STEEL, ZINC PLATED, YELLOW; SETSCREW, STEEL, ZINC PLATED, YELLOW, WITH NYLON BUNA N, ZINC PLATED, BUNA N, NATURAL.
 THE DUST AND MOISTURE GASKET IS BUNA N, NATURAL.
 THE EMI/RFI GASKET IS KNITTED SN/CU/FE MESH.
 THE LATCH CONSISTS OF CRANK, PAWL SUPPORTS AND PAWL, DIE CAST ZINC, CHEMICAL PROTECTIVE FILM; HOUSING AND LINKS, 1008/1010 STEEL, ZINC PLATED, BRIGHT; BUSHINGS AND SCREWS, STEEL, ZINC PLATED, BRIGHT; LONG PIN: LOW CARBON STEEL, NICKEL PLATED; SHORT PIN: LOW CARBON STEEL, ZINC PLATED; SCREW, LOCKWASHER AND NUT, STEEL, ZINC PLATED, YELLOW; AND SETSCREW, STEEL, ZINC PLATED, YELLOW, WITH NYLON PATCH.
 THE KEEPER IS 1008/1010 STEEL, ZINC PLATED, YELLOW.
 THE ROD IS TYPE 303 STAINLESS STEEL, NATURAL.

TOLERANCES
 TWO PLACE: ±.04 THREE PLACE: ±.005